

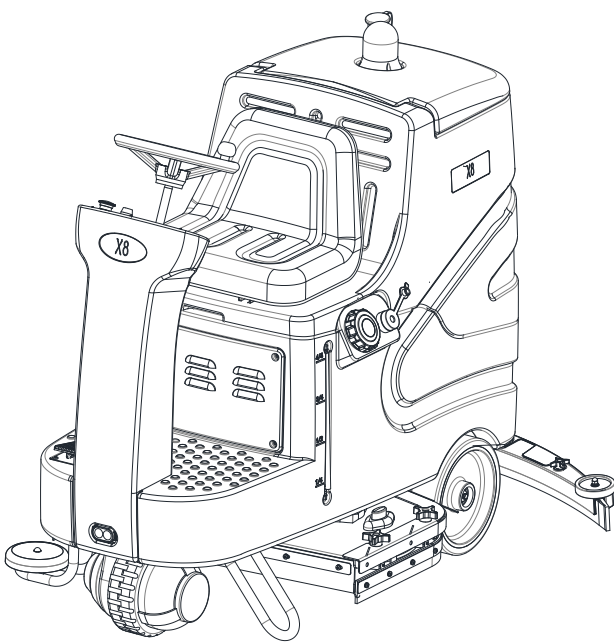


威 卓

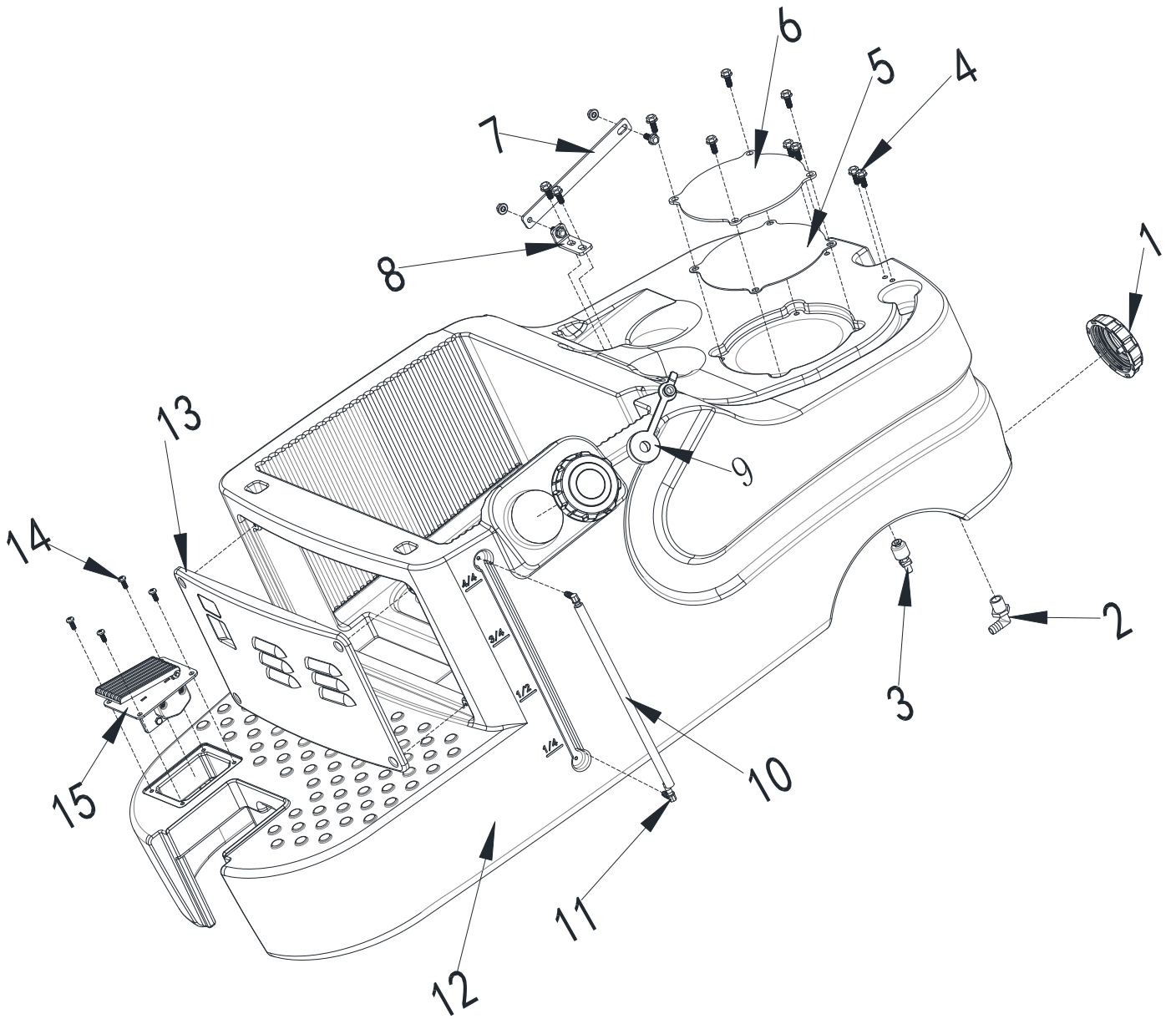
X7plus

自动驾驶式洗地机—吸干器

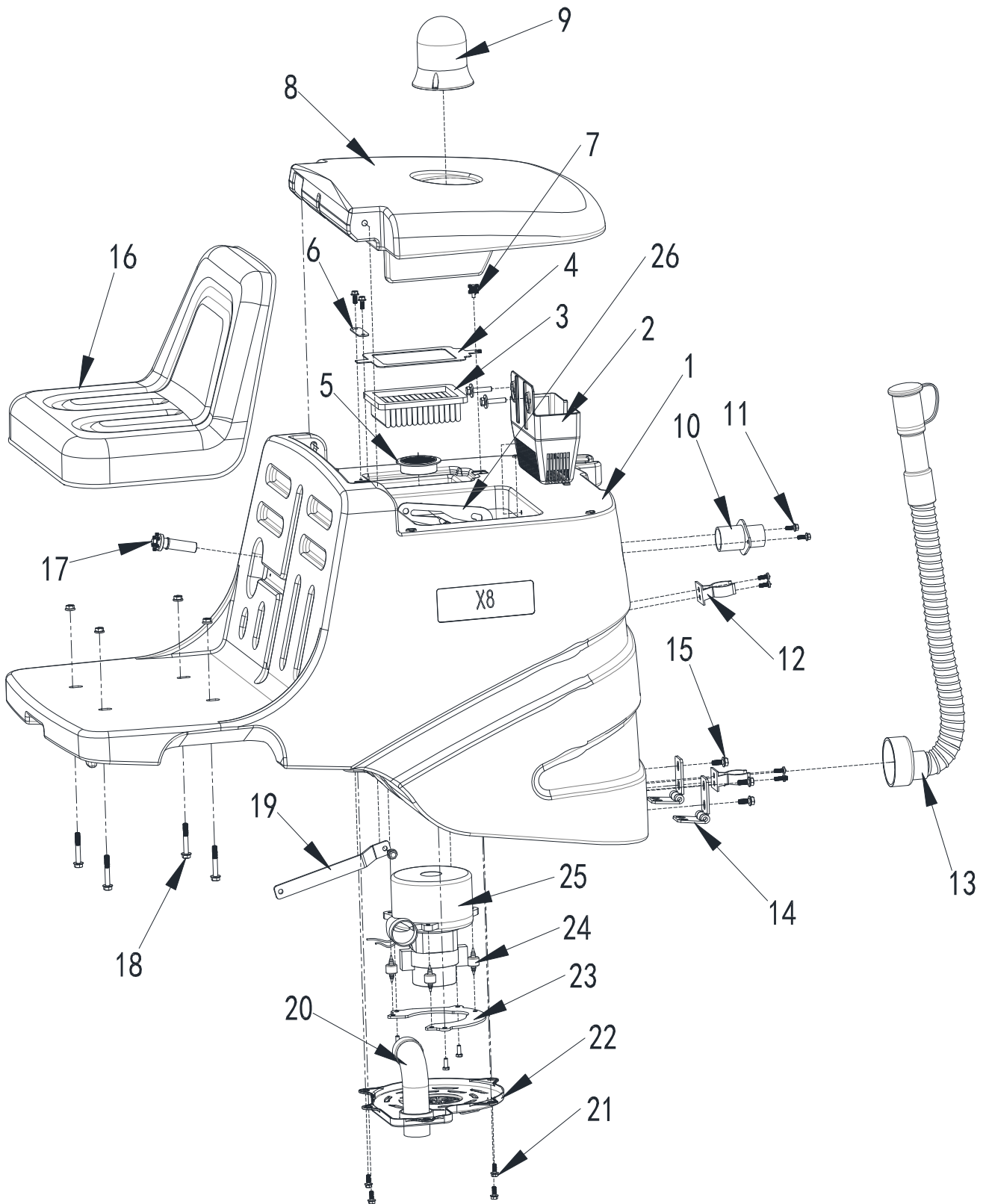
零部件价格单



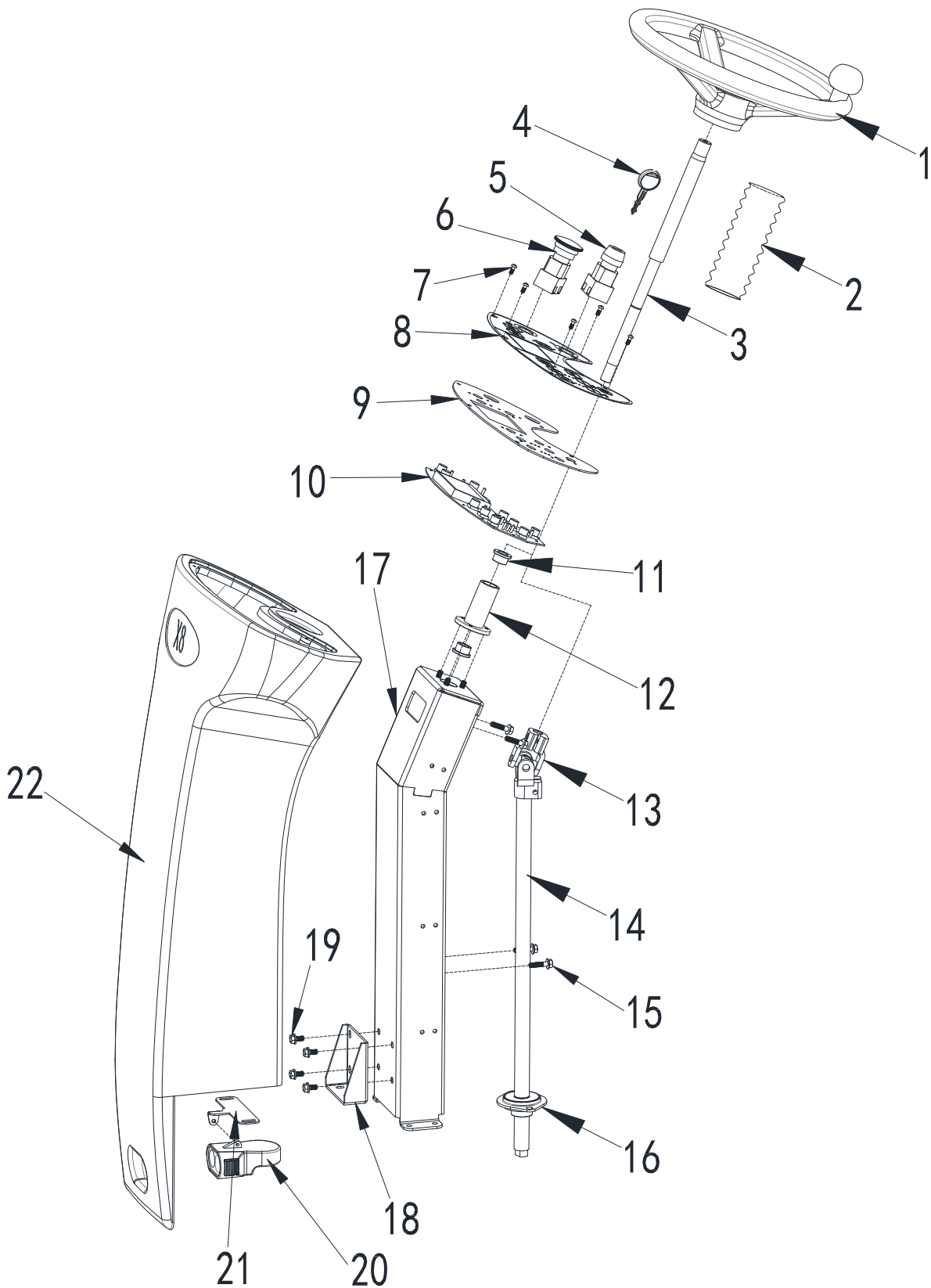
Made In China



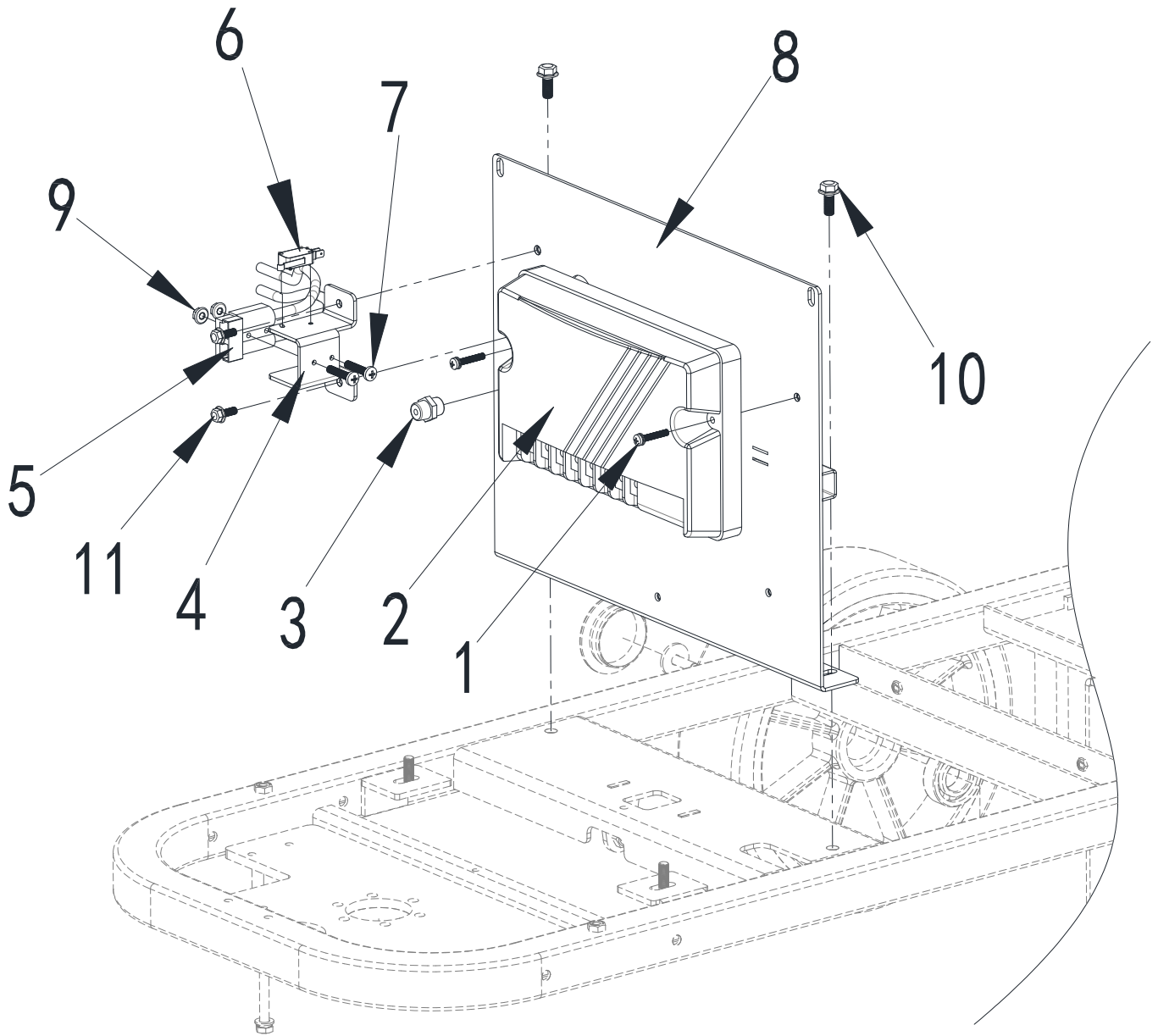
REF	PART	DESCRIPTION	PRICE
1	FD1301722	Fresh water drainage flap	
	FD1301907	Drainage cap gasket	
2	570029	Filter right-angle joint	
3	780043	Clear water tank water level switch	
4	5789#	M8*20 screw	
5	FD1301909	Access cover sealing gasket	
6	FD1301632	Clear water tank access cover	
7	860023	Sewage tank lever	
8	860026	Sewage tank lever	
9			
10	FD1301924	Liquid level tube	
11	FD1301904	Water level display tube packing	
	FD1301716	Liquid level pipe joint	
12	870005	Clear water tank	
13	870010	The controller cover plate	
14	818#	M6*16 screw	
15	780008WZ	The accelerator	



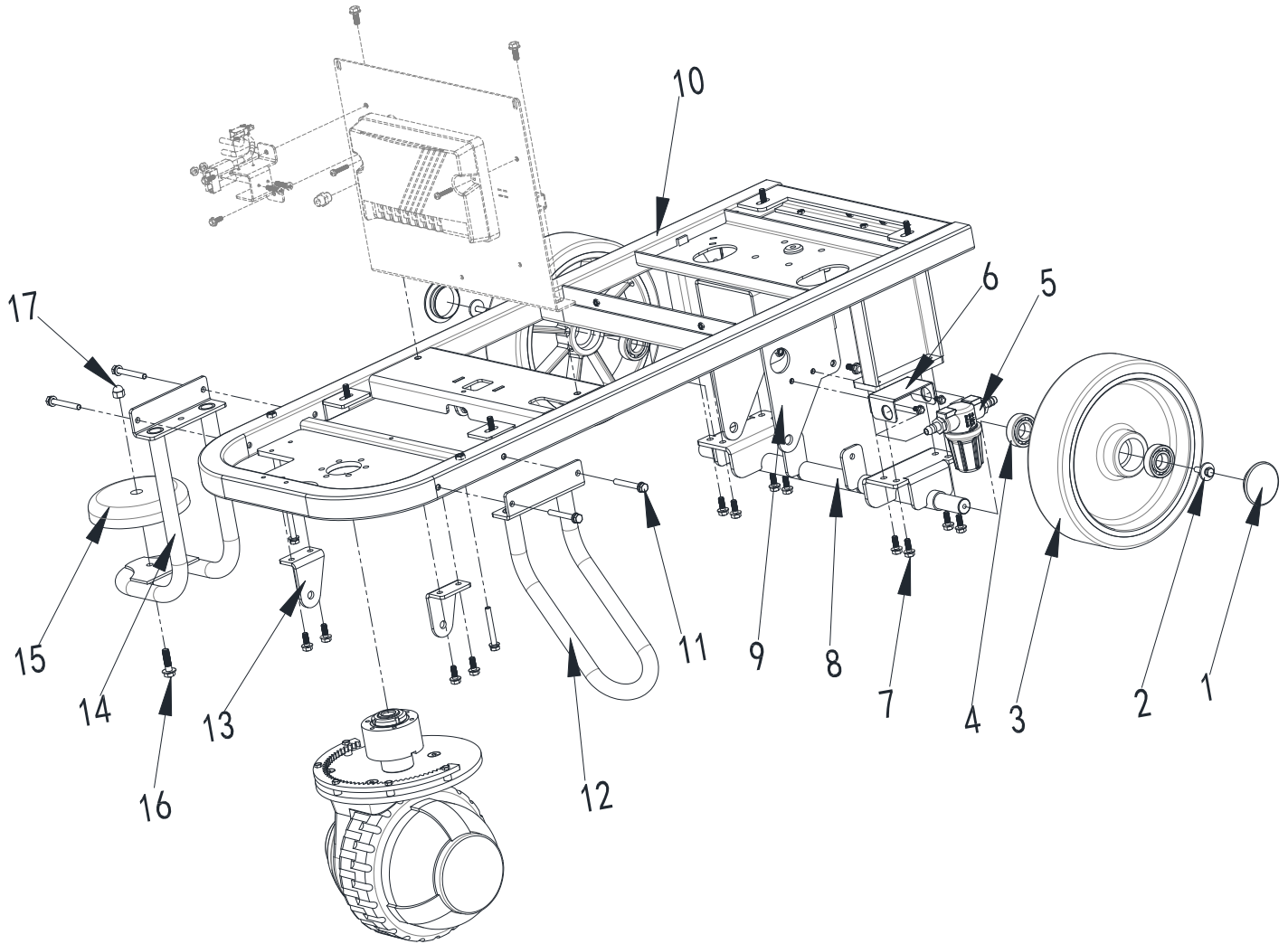
REF	PART	DESCRIPTION
1	870006	The sewage tank
2	870011	litter basket
3	FD1301905	HEPA
4	860029	HEPA clamp
5	FD1301725	filter
6	860030	HEPA Fixed clamp
7		screw
8	870008	Sewage tank cover
	780052 (王)	Warning lights
9	780053	Warning light shell
	780054	The warning light base
10	FD1301718	Water joint
11	5789#	M6*16 screw
12	670016	Pipe clamp
13	790003P	Drainage pipe
14	860028	hinge
15	5789#	M8*20 screw
16	FD1301903	seat
17	780028okd	Waste water level switch
18	933#	M8*50 screw
19	860024	Fresh water lever
20	890006	Vacuum suction motor
21	818#	M6*12 screw
22	870009	Vacuum motor cover plate
23	860025	Vacuum motor clamp
24	Z30204	cushioning
25	Z50201	Vacuum motor



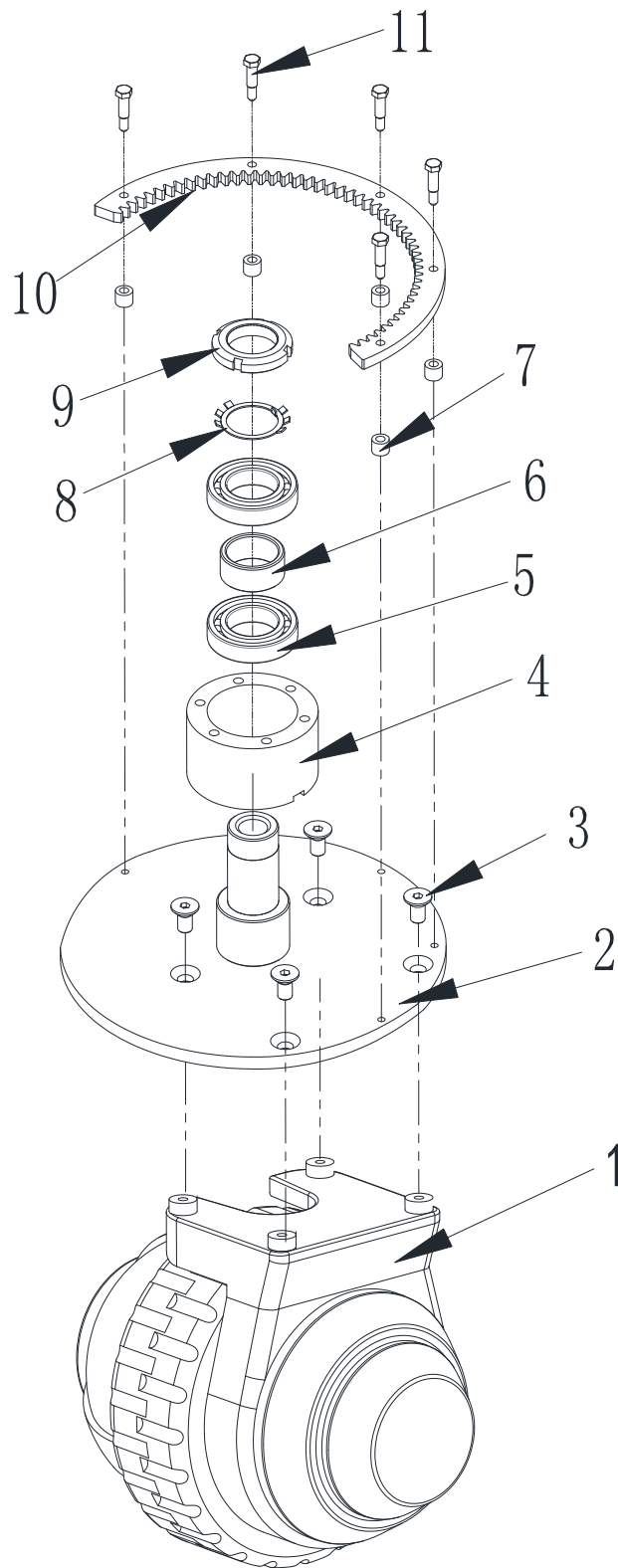
REF	PART	DESCRIPTION	PRICE
1	790001	The steering wheel	
2	770008	Protective sleeve	
3	860007	The steering wheel shaft	
4	FD1301804	key	
5	FD1301801	The lock	
6	FD1301803	abrupt stop switch	
7	818#	M5*10 screw	
8	TB0118	stickers	
9	860032	Control panel mounting platel	
10	880005	Control panel	
11	770067 新	Nylon sleeve	
12	860036	The steering wheel axle sleeve	
13	790007	Universal joint	
14	860008	Under the steering wheel shaft	
15	933#	M6*25 screw	
16	760032	Bearing shield	
17	790043	Self-aligning bearing	
18	860010	post	
19	760004	steering wheel fixed frame	
20	5789#	M6*16 screw	
21	880004	headlamps	
22	860031	Headlamps stents	
	870007	Column shell	



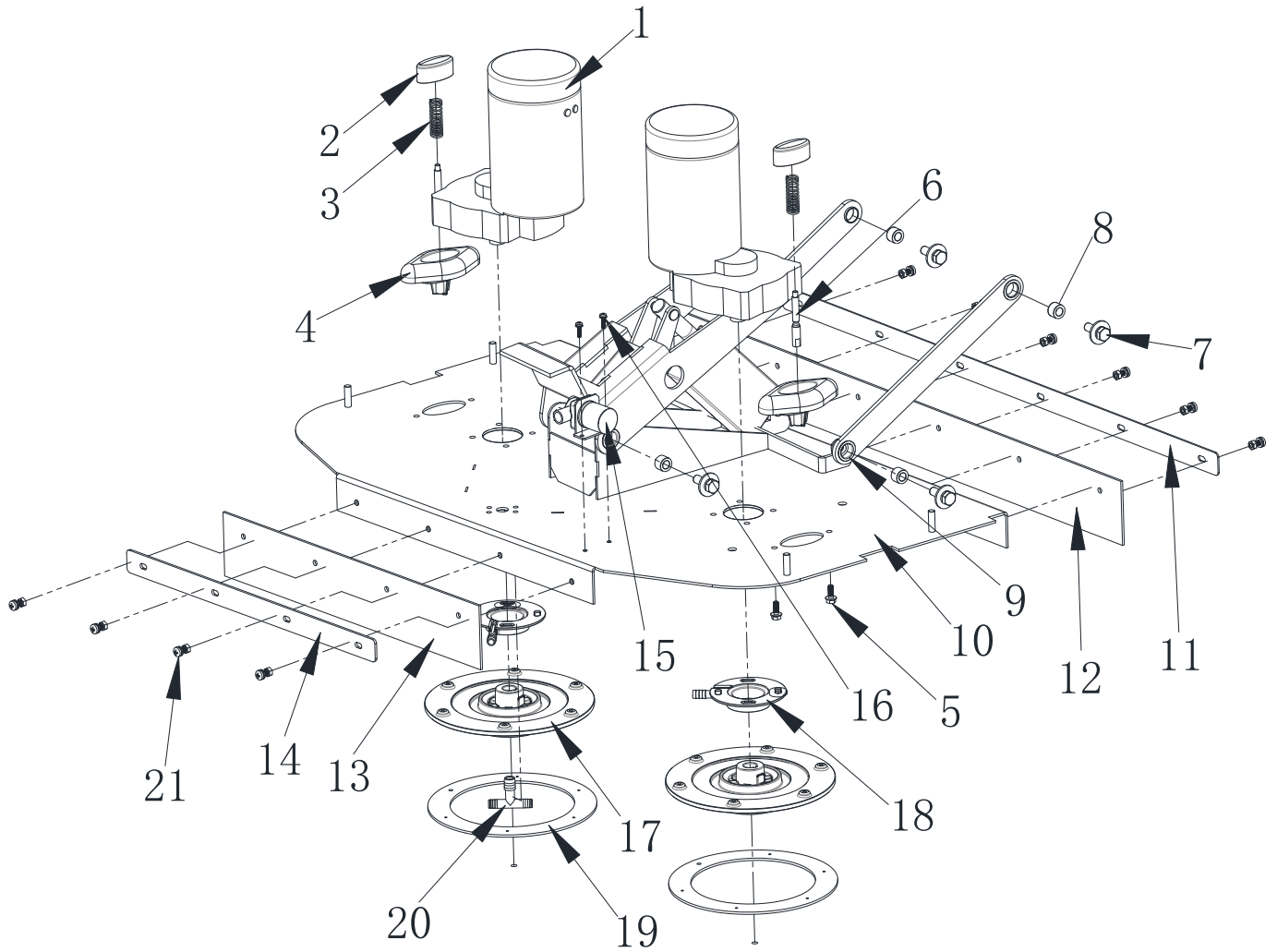
REF	PART	DESCRIPTION	PRICE
1	818#	M5*25 screw	
2	880006	controller	
3	FD3001816	terminal	
4	860022	Charging plug bracket	
5	180030 (灰)	50A charger socket	
6	180023	switch	
7	818#	M6*40 screw	
8	860021	Controller mounting plate	
9	985#	M6 nut	
10	5789#	M8*20 screw	
11	5789#	M6*16 screw	



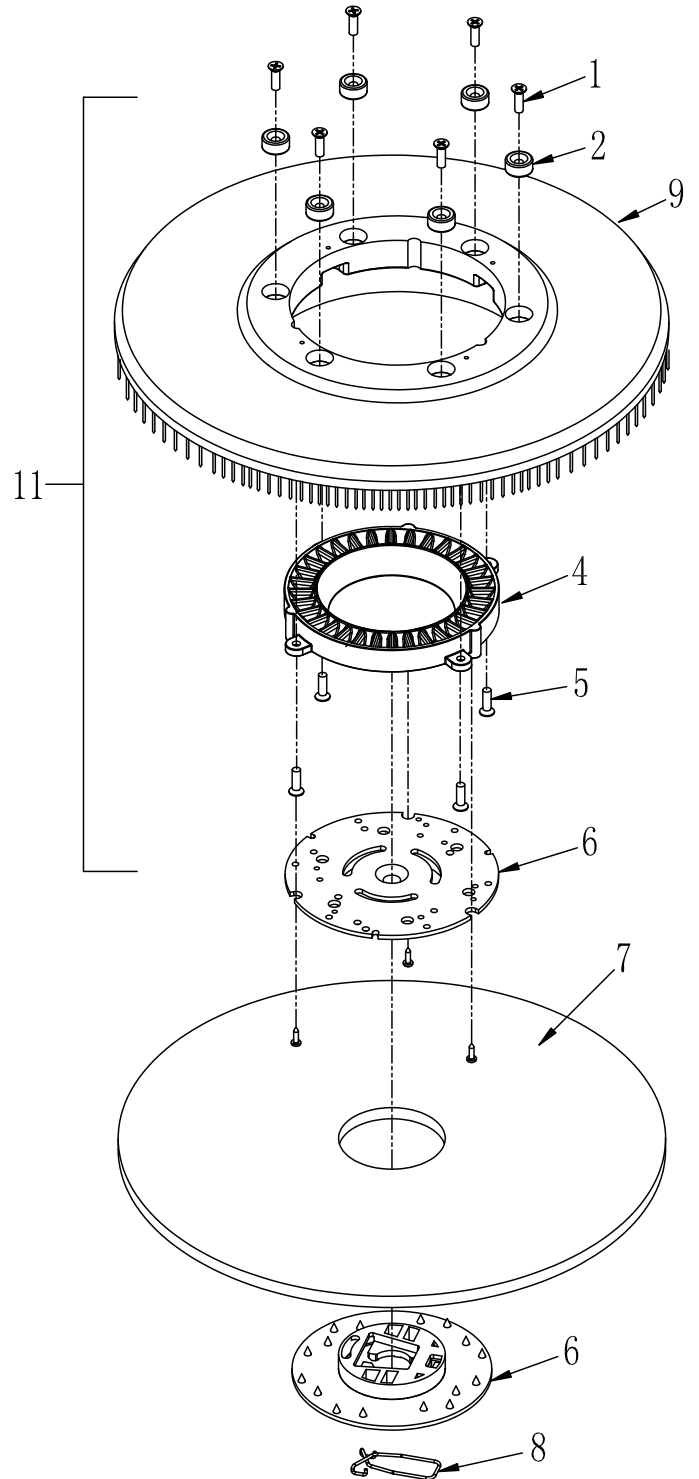
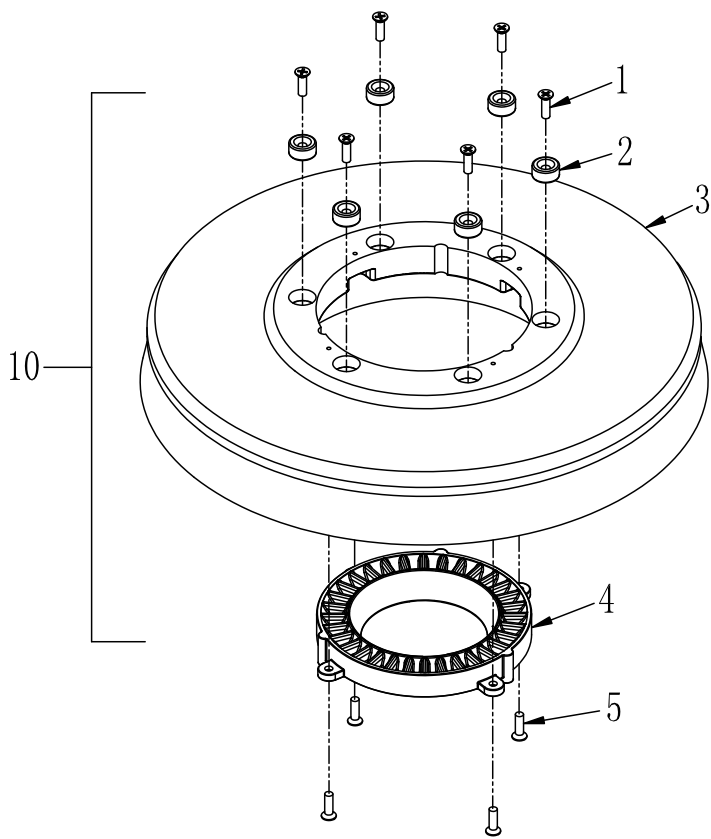
REF	PART	DESCRIPTION	PRICE
1	770006	Waterproof cover	
2	FD1001659	tank plate	
3	790009	wheels	
4	111	bearing	
5	880003	filter	
	370033	joint	
6	860027	filter bracket	
7	5789#	M8*20 screw	
8	860020	Rear axle	
9	860011	Squeegee stents	
10	860005	frame	
11	933#	M8*60 screw	
12	860019	Left anti-collision frame	
13	860016 左	Brush plate connecting rod	
	860016 右		
14	860018	The right fender	
15	870012	Right fender	
16	933#	M8*50 screw	
17	1587#	M8 nut	



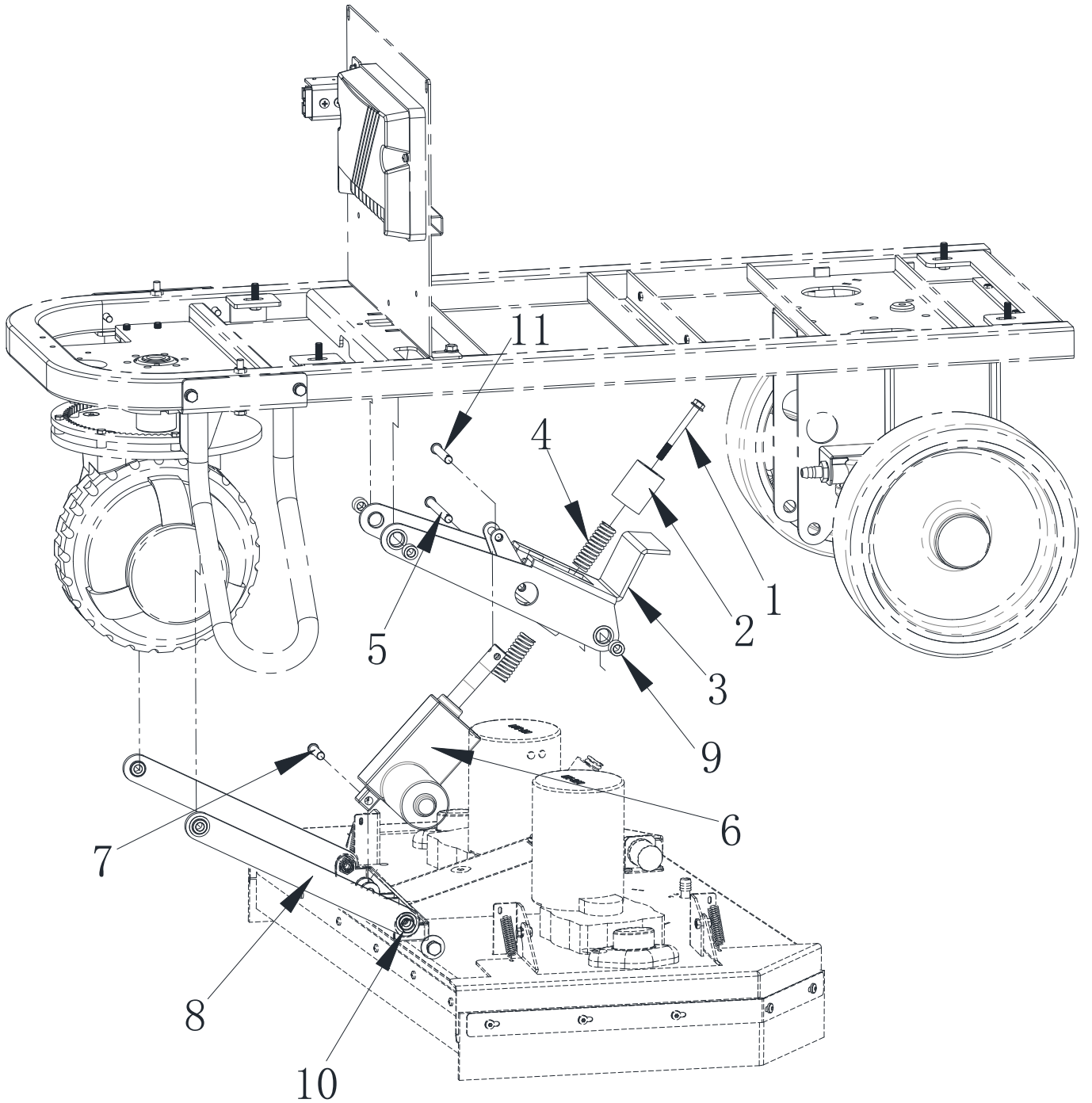
REF	PART	DESCRIPTION	PRICE
1	FD1001803	Drive motor	
2	860006	Fixed plate	
3	7991#	M10 screw	
4	760007	Shaft sleeve	
5	112	6007	
6	760008	Shaft sleeve	
7	790060	bushing, 12mm×8mm× 8.4mm	
8	790071	circlip	
9	790072	nut	
10	760005	Steering rack	
11	933	M6×25 screw	



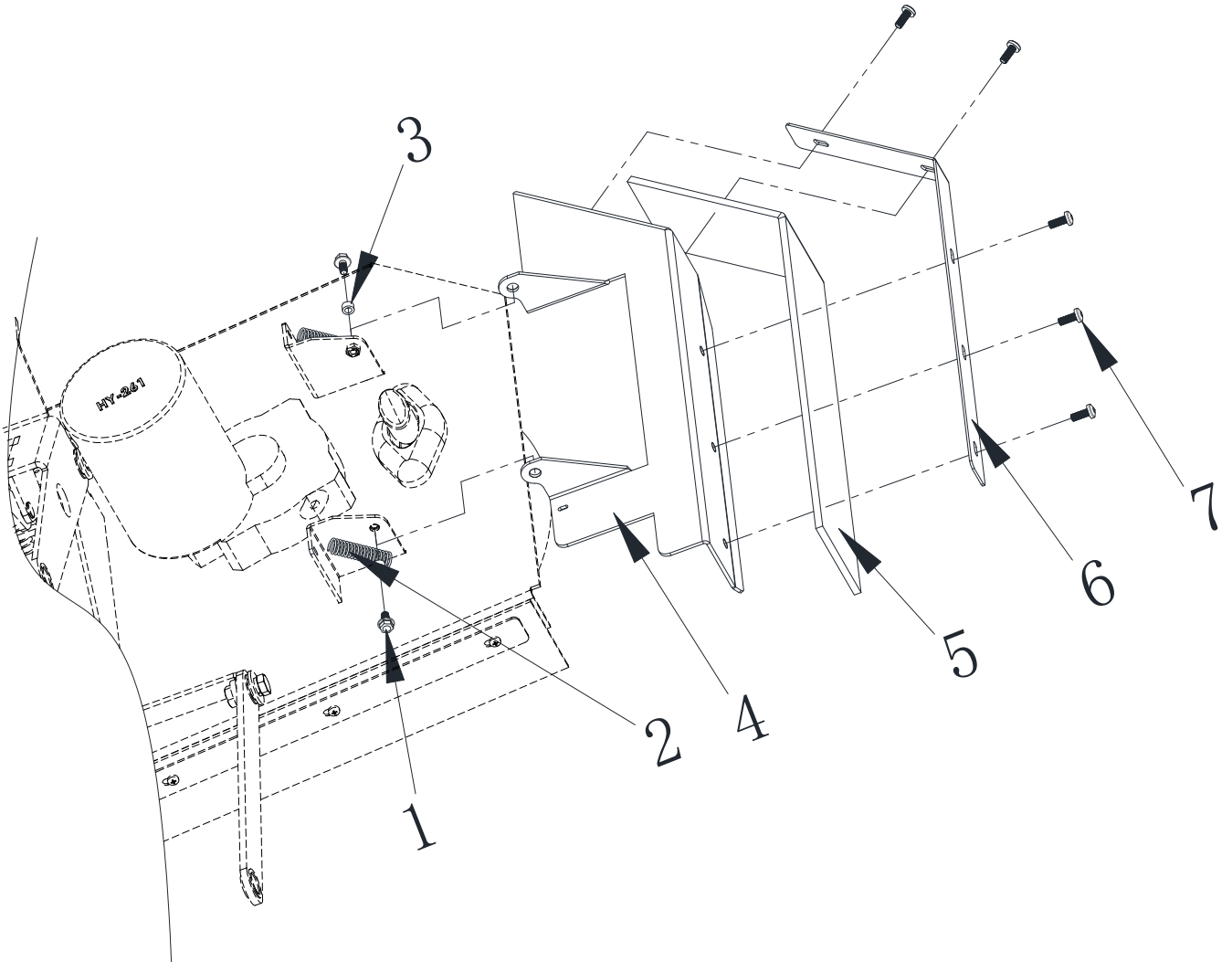
REF	PART	DESCRIPTION	PRICE
1	FD1301811	Brush motor	
2	270003P	Discharge brush button	
3	T15001	Discharge brush spring pin	
4	FD1301739	Discharge brush button base	
5	5789#	M6*12 screw	
6	FD1001621	Discharge brush pin	
7	933#	M10*30 screw	
8	860009	Shaft sleeve	
9	890002	Copper set of	
10	860033	Brush plate cover	
11	860040	Rear queegee plate,cover	
12	870015	Squeegee,back brush	
13	870016	Squeegee,Front brush	
14	860041	Front queegee plate,cover	
15	180025 右	Solenoid valve	
16	818#	M5*16 screw	
17	260030PS	Brush driver	
18	FD1001713	pipe	
19	260036PS	Brush driver accessories	
20	570023	joint	
21	818#	M6*16 screw	



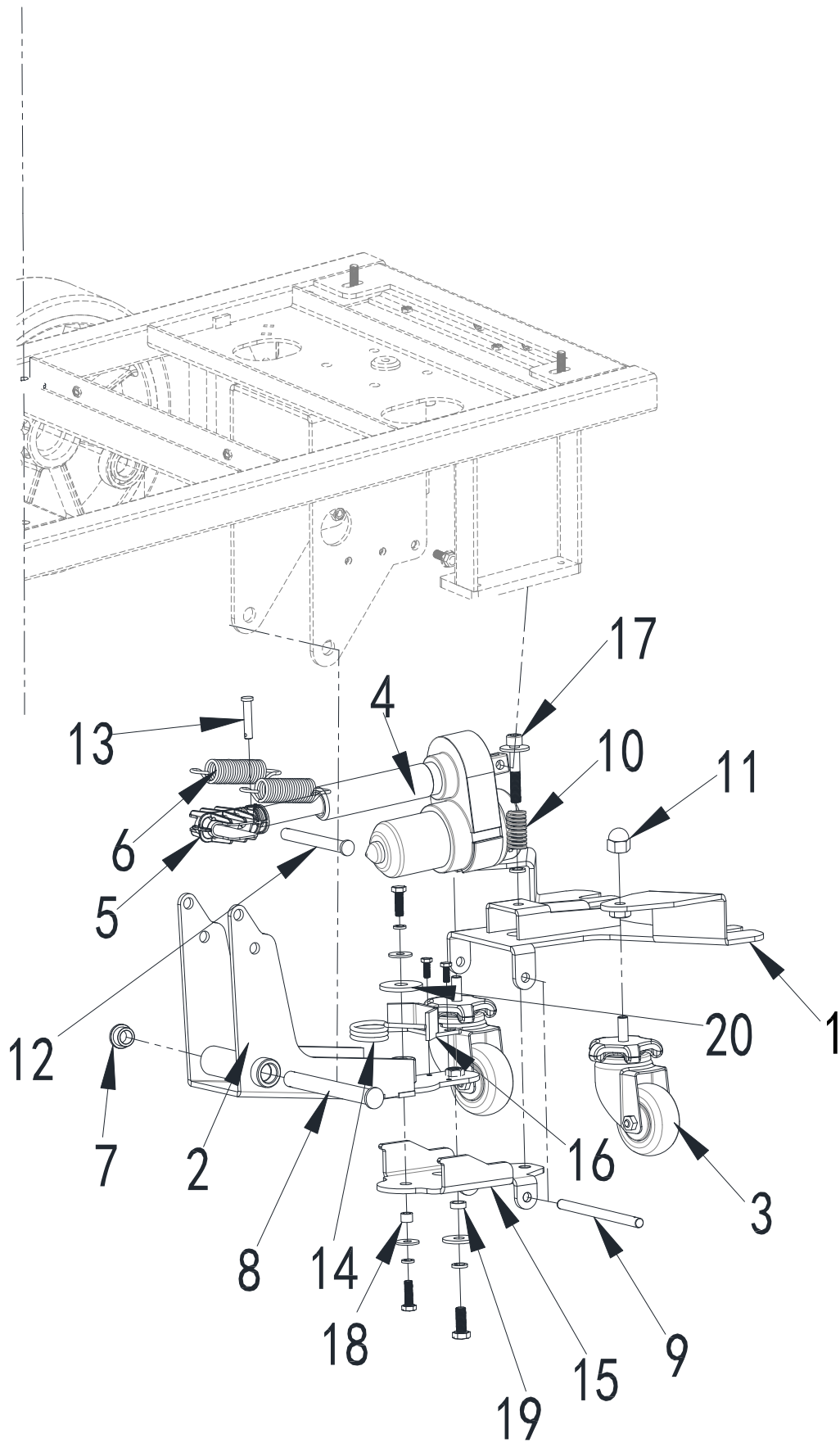
REF	PART	DESCRIPTION	PRICE
1	846#	Φ6.3*25Cross head screw	
2	FD1301664 (大)	Strong magnetic	
3	S50115CL	Brush	
4	F501714	Brush drive	
5	846#	Φ4.5*16Cross screw	
6	S50104	Centring device	
7		Cleaning pad	
8	T15010	Centring device	
9	S50114CL	Pad holder	
10		Magnetic brush group	
11		Magnetic pad holder group	



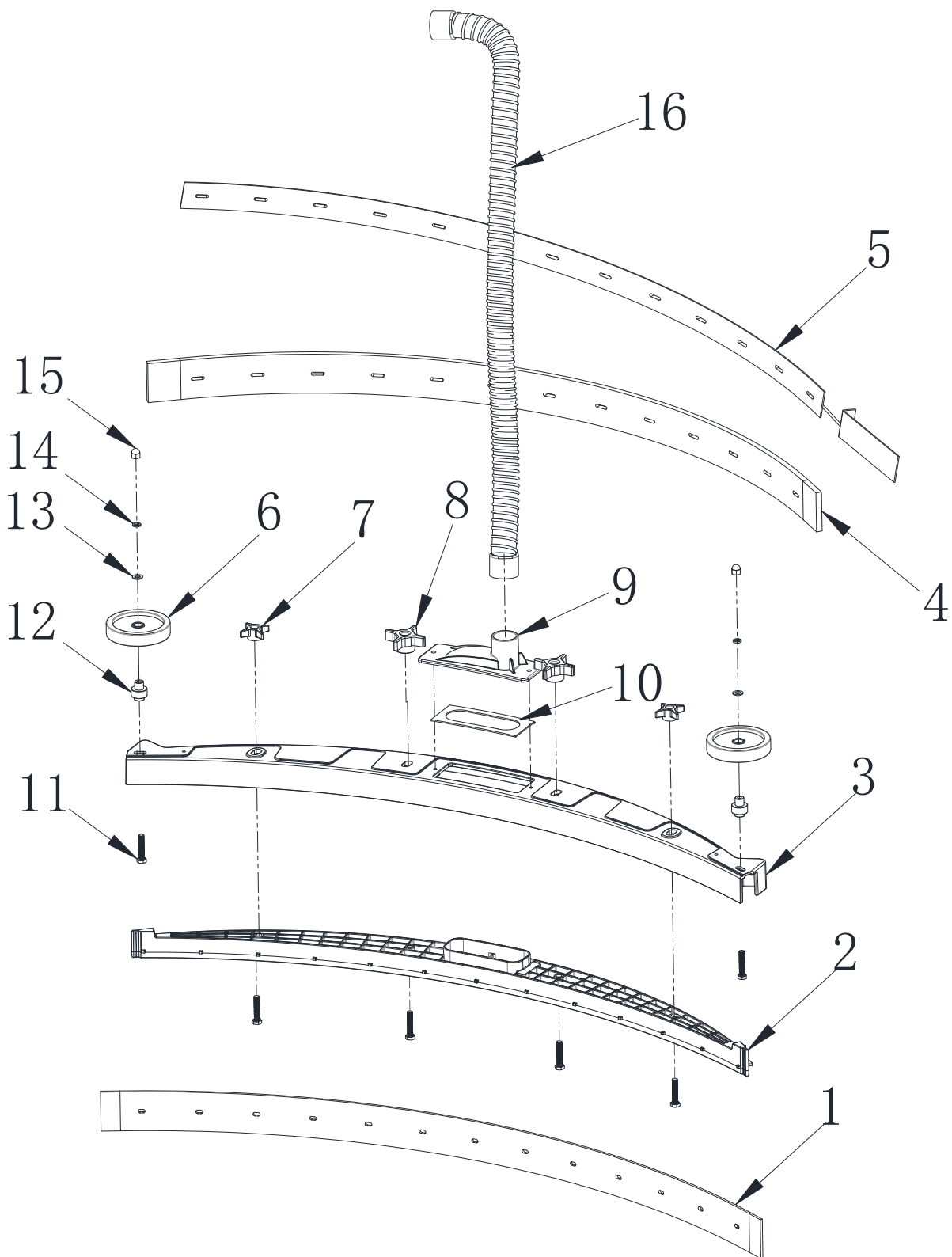
REF	PART	DESCRIPTION	PRICE
1	933#	M8*110 Hex screw	
2	890005	Brush lifting cushion	
3	860014	Brush lifting bracket	
4	TFD18001	Brush lifting spring	
5	260005P	Pin	
6	880001	Brush lifting motor	
7	260002P	Pin	
8	8600171	Brush connect pole	
9	860009	Sleeve	
10	890002	Copper sleeve	
11	260004P	Pin	



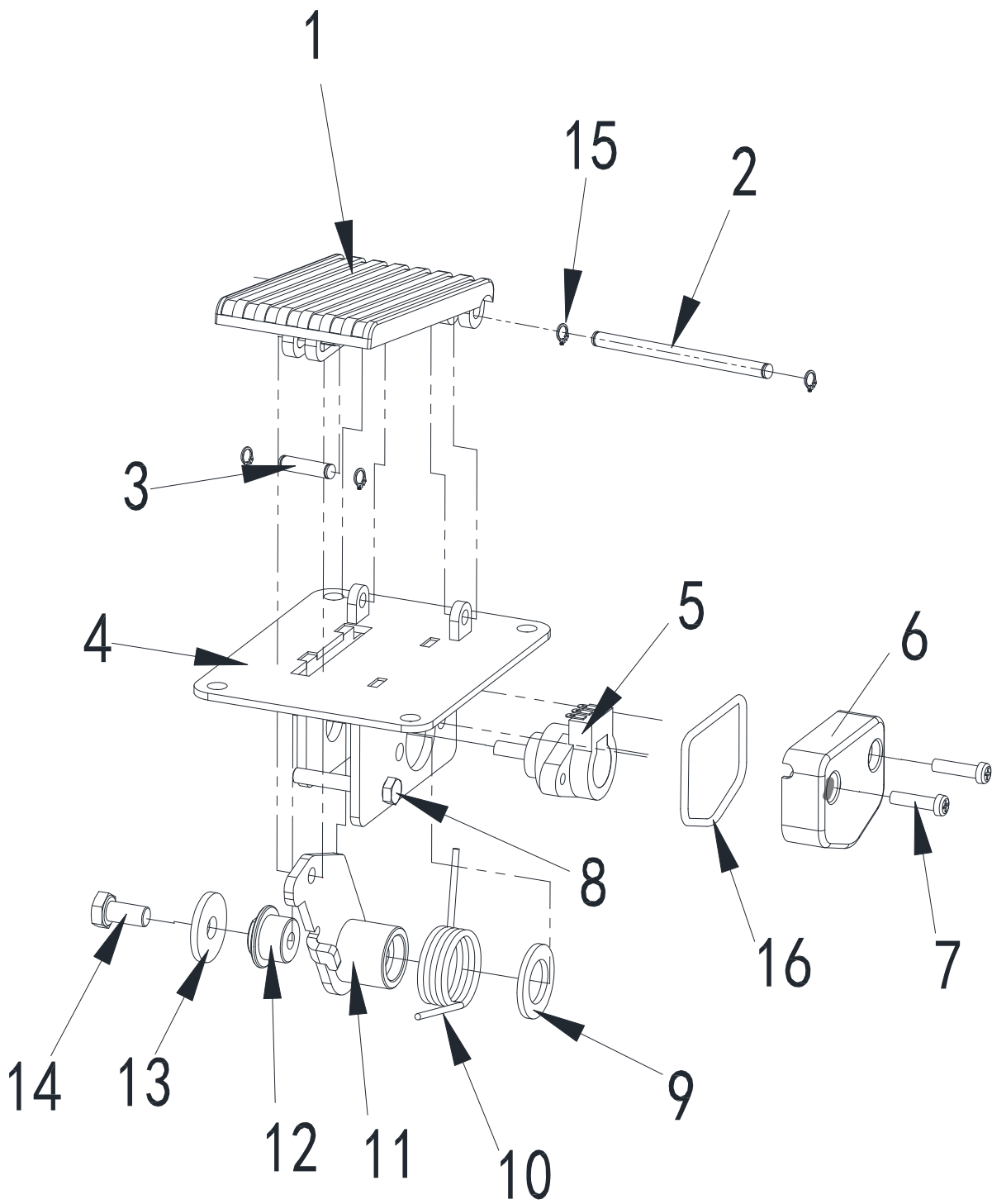
REF	PART	DESCRIPTION	PRICE
1	5789#	M6*16 Hex bolt	
2	960013	Spring	
3	FM002	Φ10*Φ6.5*5.5	
4	860034	Brush fender water,left	
	860035	Brush fender water,right	
5	870014	Blade	
6	860039	Blade plate	
7	818#	M6*16 round hear screw	



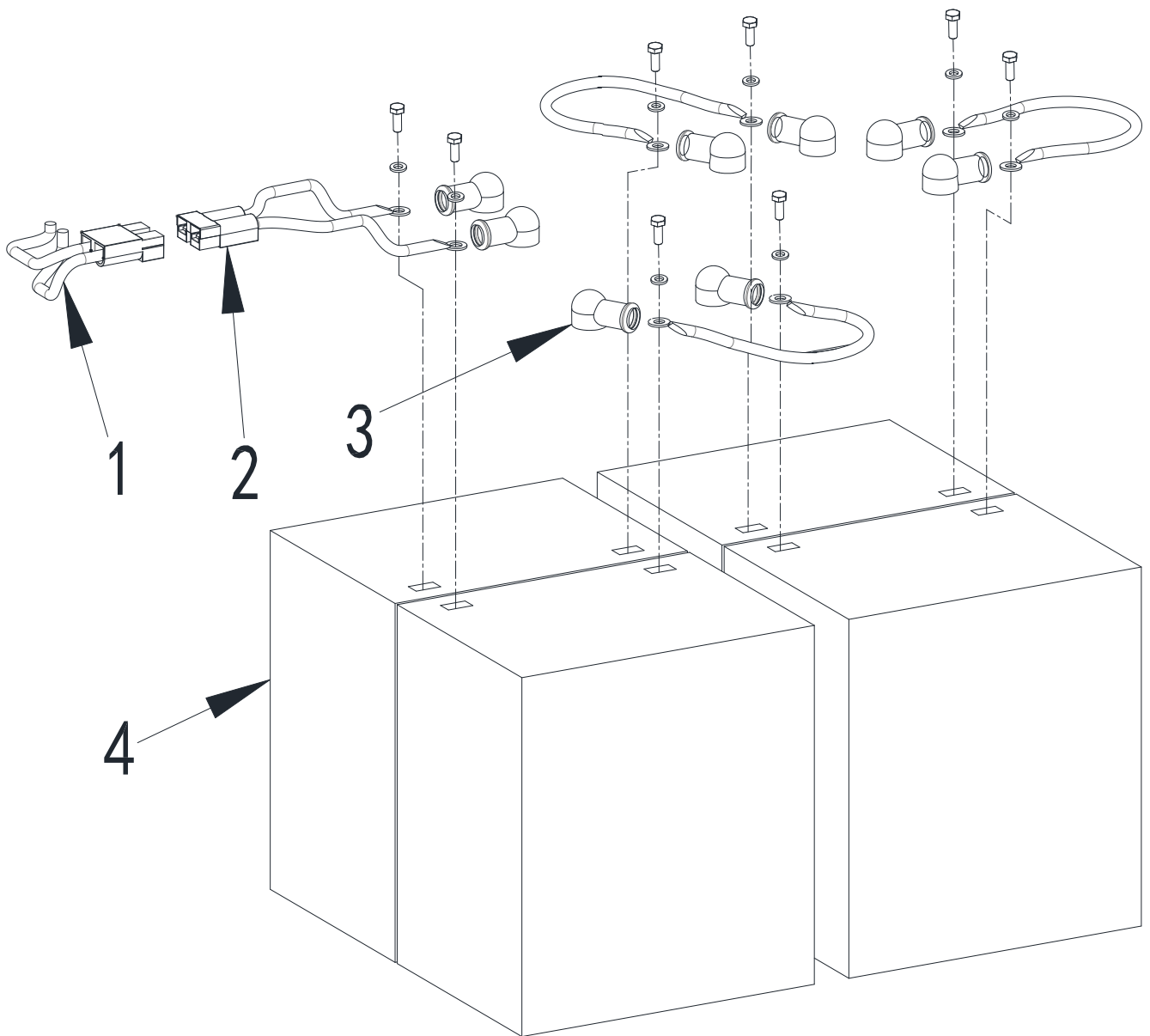
REF	PART	DESCRIPTION	PRICE
1	FD1501642	Bracket squeegee	
2	860013	Squeegee arm	
3	390016	Caster wheel	
4	FD1301810	Squeegee lifting motor	
5	FD1301706 (2)	Fix,Squeegee lifting motor	
6	T18002	Squeegee spring	
7	FD1501724	Nylon sleeve	
8	FD1501615	Pin	
9	FD1501682	pin	
10	TFD15002	Spring	
11	1587#	M10 NUT	
12	FD1501605	Squeegee lifting pin	
13	933#	Screw M10*50	
14	TFD15004	Spring	
15	FD1501681	Bracket Squeegee,turning plate	
16	FD1501680	Spring plate	
17	FD300172	M12 Knob, Star	
18	FM001	POWDER METALLURGY $\Phi 12*8.5$	
19	FM006	POWDER METALLURGY $\Phi 16*\Phi 12*6$	
20	FD1501683 (扭簧压垫片)	Bracket squeegee ,gasket	



REF	PART	DESCRIPTION	PRICE
1	870001	Squeegee ,front	
2	870004	Bracket, Sqge	
3	860002	Frame,squeegee	
4	870002	Squeegee ,Back	
5	860003	Squeegee ,Back plate,Assy	
6	690011	Wheel, Fender	
7	170018	Knob, Star, Small	
8	170017	Knob, Star, Big	
9	870003	SQGE mouth	
10	890001	SQGE mouth sponge	
11	933#	M8*55 Hex screw	
12	660042	Wheel, Fender axle	
13	PD0008	M8 gasket Φ 8*22	
14	93#	M8 gasket spring	
15	1587#	M8 Nut	
16	FD1001908	Suction hose	



REF	PART	DESCRIPTION	PRICE
1	770070B	Pedal	
2	760069	Φ6 Axle	
3	760070	Φ6 Axle	
4	760068	Pedal plate	
5	680014	Accelerator potentiometer	
6	770072	Accelerator potentiometer cover	
7	818#	M5*25 Cross screw	
8	933#	M6*40 cross screw	
9		Nylon gasket	
10	T15013	Spring	
11	760066	Accelerator arm	
12	760067	Accelerator axle	
13	760039	Nylon gasket	
14	933#	M8*16 Hex screw	
15		Φ6 AXLE	
16	790015	Gasket	



REF	PART	DESCRIPTION	PRICE
1		Main battery connecting line	
2	180030	Charger plug	
3	170018 (1)	Harness, Battery	
4	590040	Battery	

